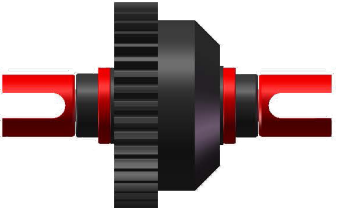


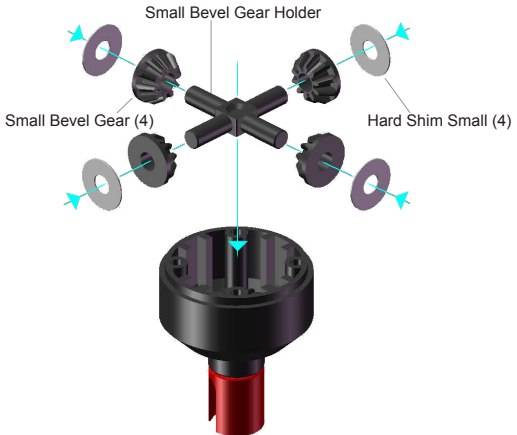
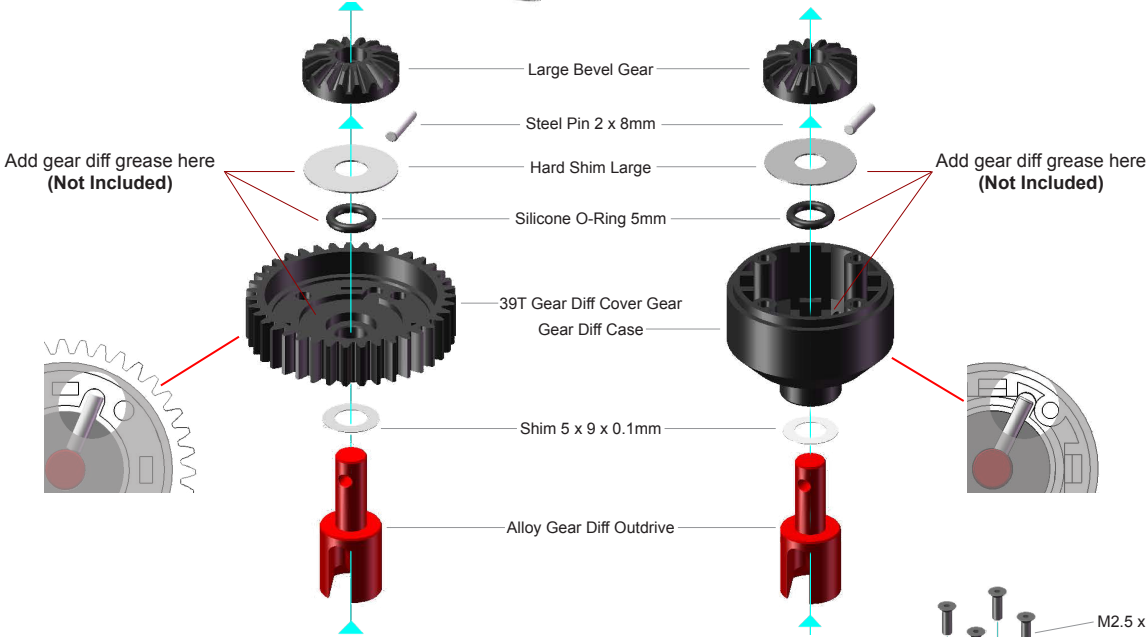
**Gear Diff Set
(Sabre FD Series)
PO-SDT114**



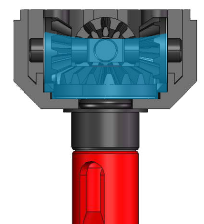
FINISH



PO-MGBS01	
Large Bevel Gear	x 2
PA-SP0208	
Steel Pin 2 x 8mm	x 2
PA-HSS101	
Hard Shim Large	x 2
PP-GDRS01	
Silicone O-Ring 5mm	x 2
PO-MGAS01	
39T Gear Diff Cover Gear	x 1
Gear Diff Case	x 1
PA-100509	
Shim 5 x 9 x 0.1mm	x 2
PO-DT0015RD	
Alloy Gear Diff Outdrive	x 2
PO-MGBS01	
Small Bevel Gear	x 4
PA-HSS101	
Hard Shim Small	x 4
PO-MGAS03	
Small Bevel Gear Holder	x 1
PA-CM2508BK	
M2.5 x 8mm Countersunk Screw	x 4
PP-GDRS01	
Silicone O-Ring 24mm	x 1
PO-DT1009RD	
Gear Diff Spacer 2mm	x 2



NOTE:
DO NOT fill the diff oil to the top of the Diff Holder



Recommended diff oil - for reference ONLY (Not Included)
300,000 cst for Sabre FD
100,000 cst for Sabre FD Mini

